



GAEAforms



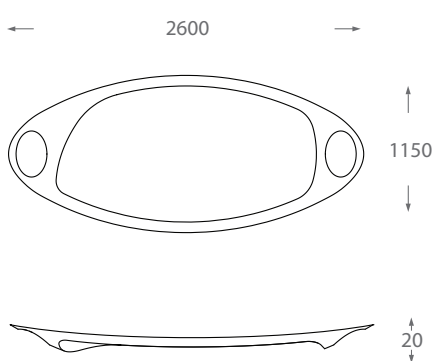
2010 - 2011



1. LEAF HAMMOCK / outdoor

Materials / High-gloss painted glass reinforced polyester, Dacron
 Colors / Lime green, Turquoise, White, Sand, Pink
 Designers / Pinar Yar + Tuğrul Gövsa, 2008

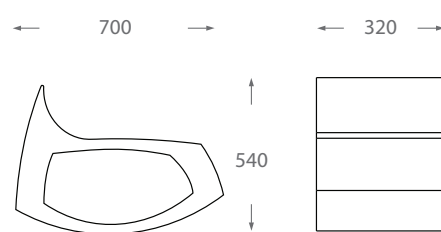
Dimensions /



2. ROCKER / indoor / outdoor

Materials / High-gloss painted glass reinforced polyester
 Colors / Black, White, Pink, Red, Sand, Lime green, Chocolate Brown, Mustard
 Designers / Pinar Yar + Tuğrul Gövsa, 2008

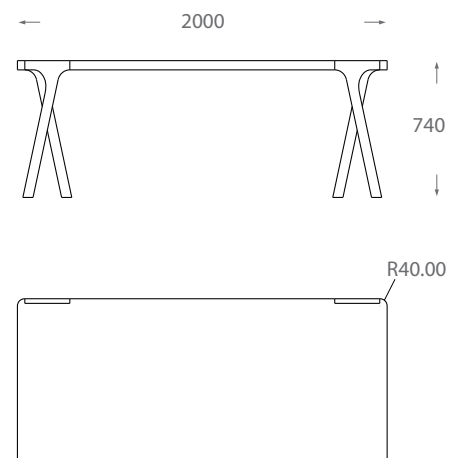
Dimensions /



3. CROSS TABLE / indoor

Materials / Plywood, oak veneer, Lacquered finish
 Colors / Black, White, Pink, Oak veneer, Chocolate Brown, Wenge veneer
 Designers / Pinar Yar + Tuğrul Gövsa, 2009

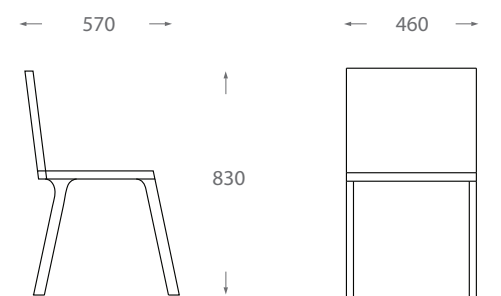
Dimensions /

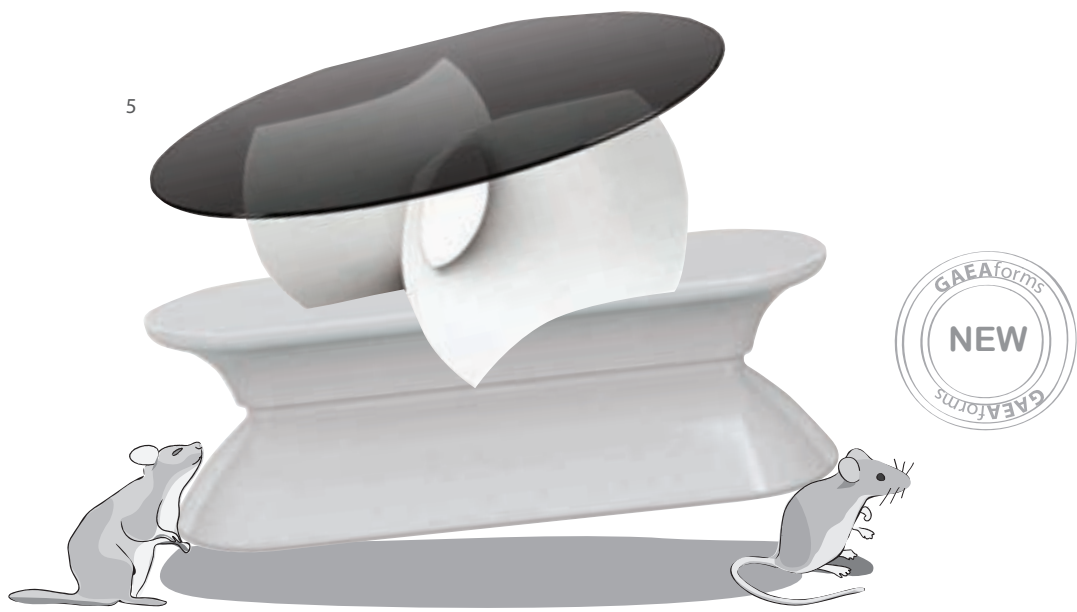


4. MIA CHAIR / indoor

Materials / Oak veneer, Plywood, Lacquered finish
 Colors / Black, White, Chocolate Brown, Sand
 Designers / Pinar Yar + Tuğrul Gövsa, 2009

Dimensions /





6



8



5. COFFEE table / outdoor

Materials / High-gloss painted glass reinforced polyester+8mm toughened extra white glass
 Colors / Black, White, Sand, Pink, Dark Brown
 Designers / Pinar Yar + Tuğrul Gövsa, 2008

6. MEVLANA bench / outdoor

Materials / High gloss & Satin matt painted glass reinforced polyester.
 Colors / Black, White, Pink, Mustard, Red, Chocolate
 Designers / Pinar Yar + Tuğrul Gövsa, 2011

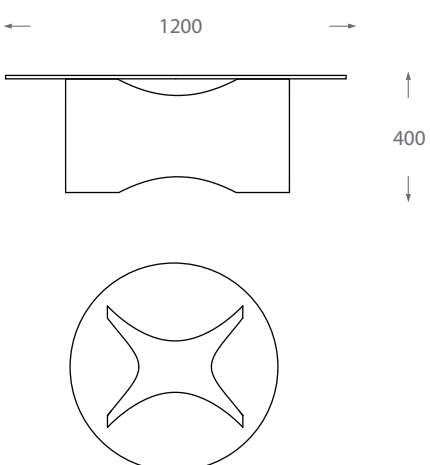
7. MEVLANA stool / outdoor

Materials / High gloss & Satin matt painted glass reinforced polyester
 Colors / Black, White, Pink, Mustard, Red, Chocolate
 Designers / Pinar Yar + Tuğrul Gövsa, 2010

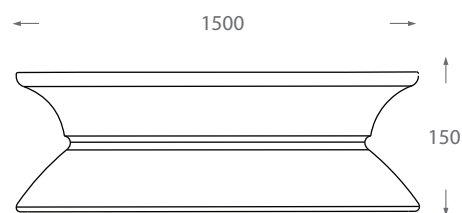
8. STEP STOOL / indoor + outdoor

Materials / Glass reinforced polyester with wood veneer
 Colors / Black, White, Zebrano, Wenge
 Designers / Pinar Yar + Tuğrul Gövsa, 2008

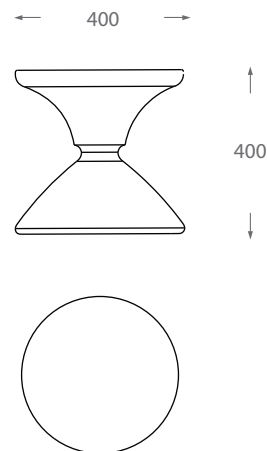
Dimensions /



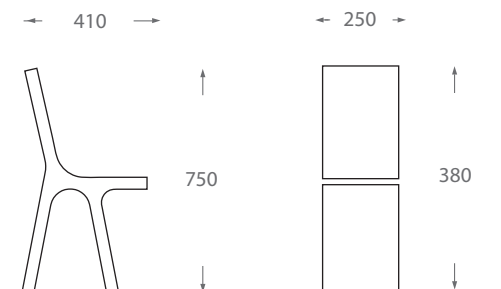
Dimensions /

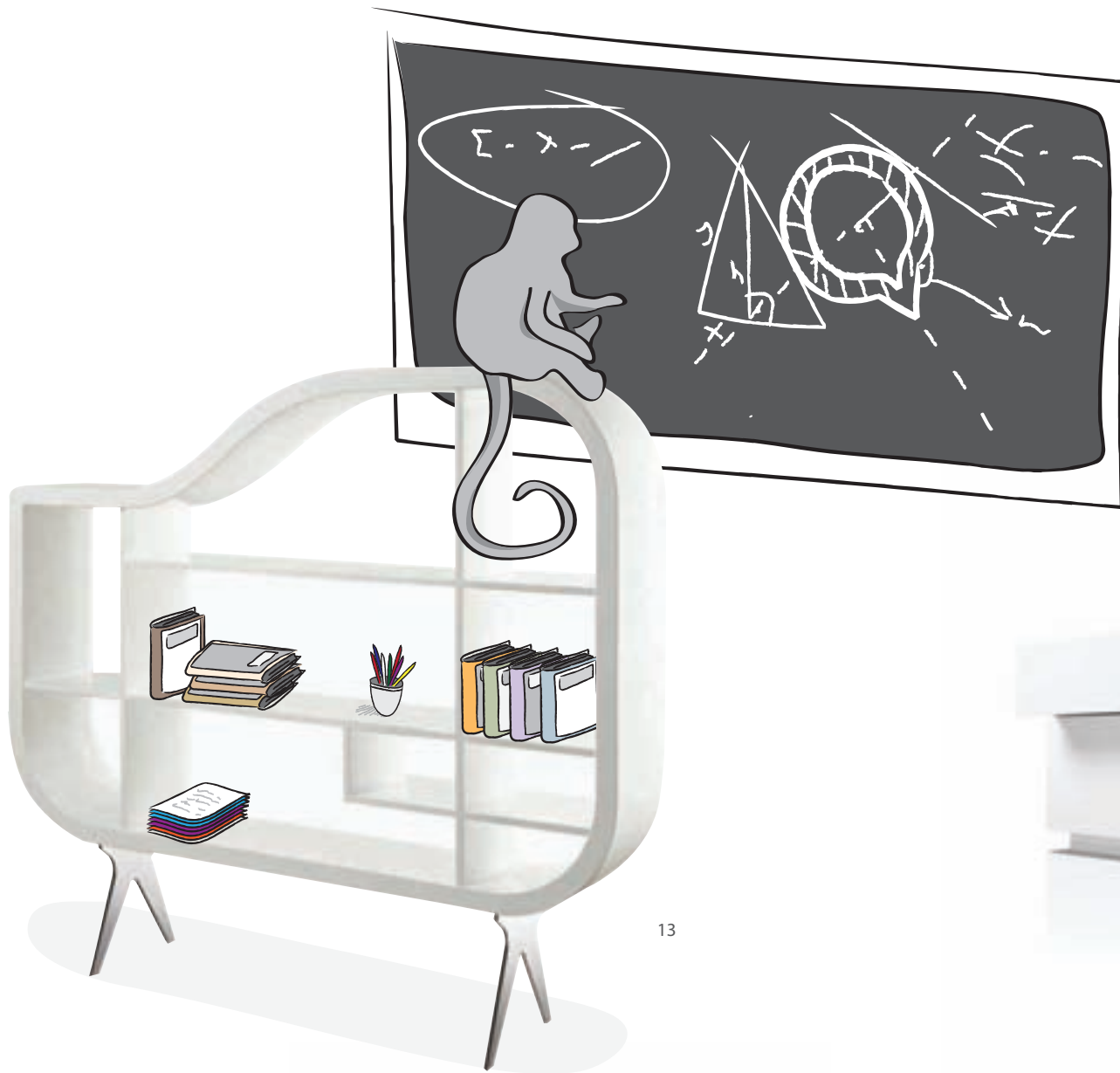


Dimensions /



Dimensions /





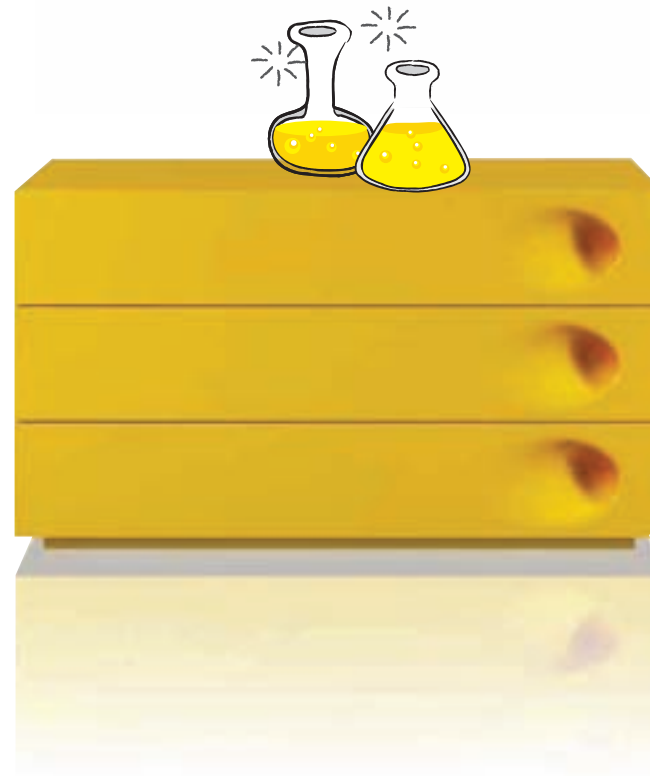
13



14



15



16

13. BOOKSHELF / indoor

Materials / High-gloss painted glass reinforced polyester, powder coated steel feet
 Colors / Black, White, Pink, Red, Lime green
 Designers / Pinar Yar + Tuğrul Gövsa, 2008

14. 01 STORAGE / indoor

Materials / Lacquered finish polyester moulded compound, MDF
 Colors / Black, White, Sand, Pink, Chocolate
 Designers / Pinar Yar + Tuğrul Gövsa, 2009

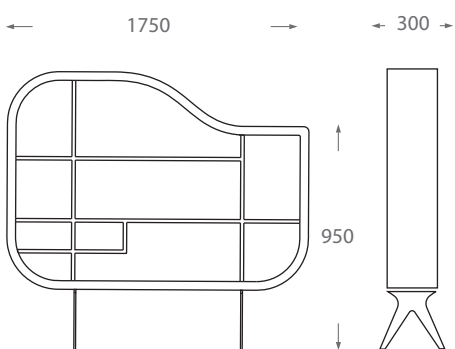
15. XS STORAGE / indoor

Materials / Lacquered finish polyester moulded compound, MDF
 Colors / Black, White, Sand, Pink, Red, Lime green
 Designers / Pinar Yar + Tuğrul Gövsa, 2009

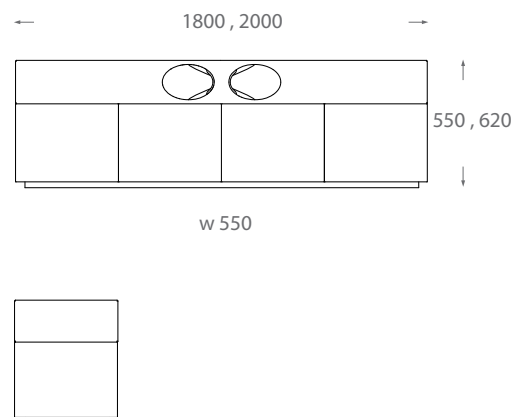
16. 01 DRAWERS / indoor

Materials / Lacquered finish polyester moulded compound, MDF
 Colors / Black, White, Mustard, Red
 Designers / Pinar Yar + Tuğrul Gövsa, 2009

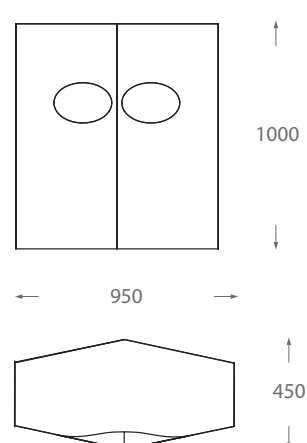
Dimensions /



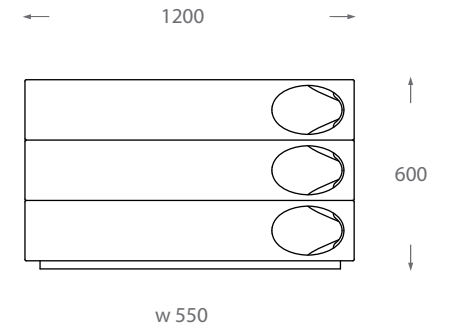
Dimensions /

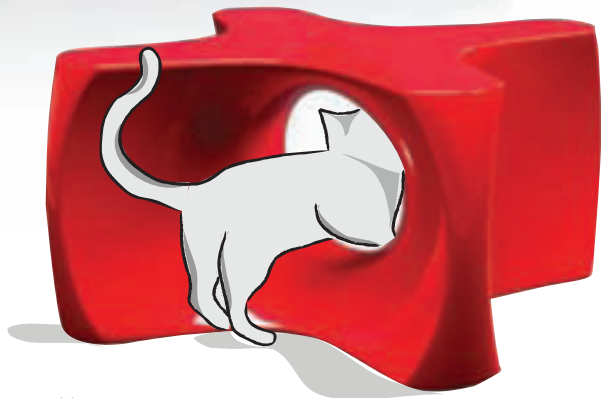
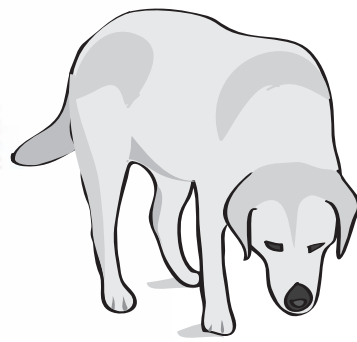


Dimensions /



Dimensions /

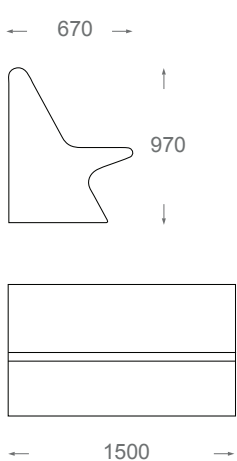




9. MIRROR / outdoor

Materials / High-gloss painted glass reinforced polyester, Side enclosed
 Colors / Black, White, Chocolate Brown, Sand, Mustard
 Designers / Pinar Yar + Tuğrul Gövsa, 2009

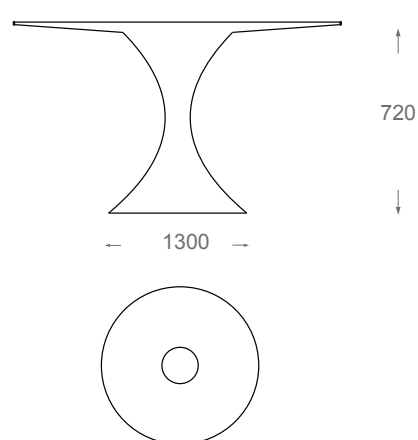
Dimensions /



10. ROUND TABLE / indoor

Materials / High-gloss painted glass reinforced polyester
 Colors / Black, White, Pink, Red, Sand, Lime green, Chocolate Brown, Mustard
 Designers / Pinar Yar + Tuğrul Gövsa, 2008

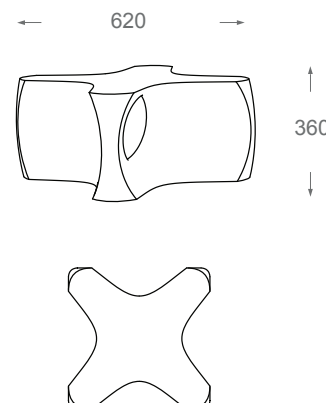
Dimensions /



11. TRIP TABLE / indoor + outdoor

Materials / High-gloss painted glass reinforced polyester
 Colors / Black, White, Pink, Red, Sand, Lime green, Chocolate Brown, Mustard
 Designers / Pinar Yar + Tuğrul Gövsa, 2008

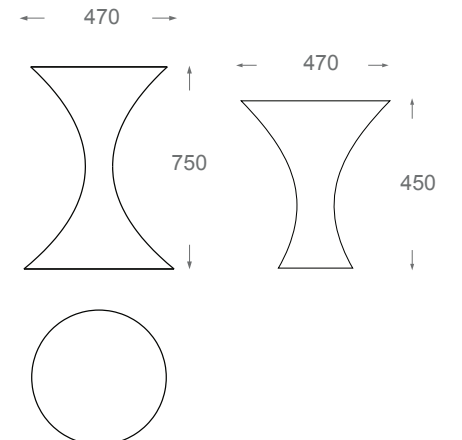
Dimensions /

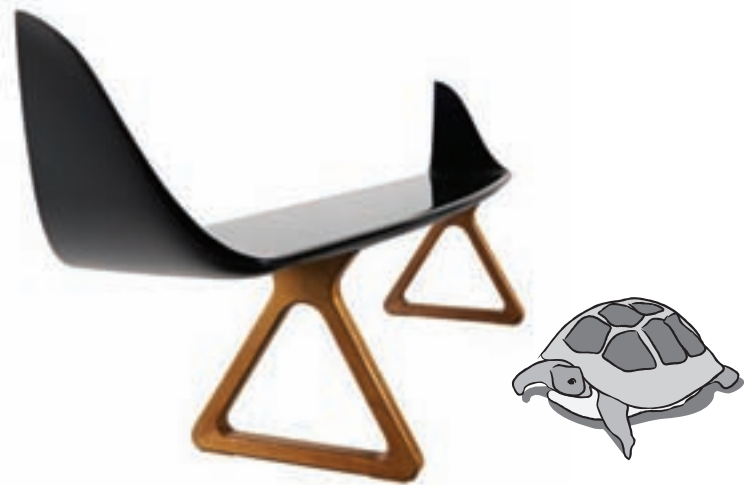


12. MYSTIQUE & DARBUKA

Materials / High-gloss painted glass reinforced polyester
 Colors / Black, White, Chocolate Brown, Sand, Mustard
 Designers / Pinar Yar + Tuğrul Gövsa, 2009

Dimensions /



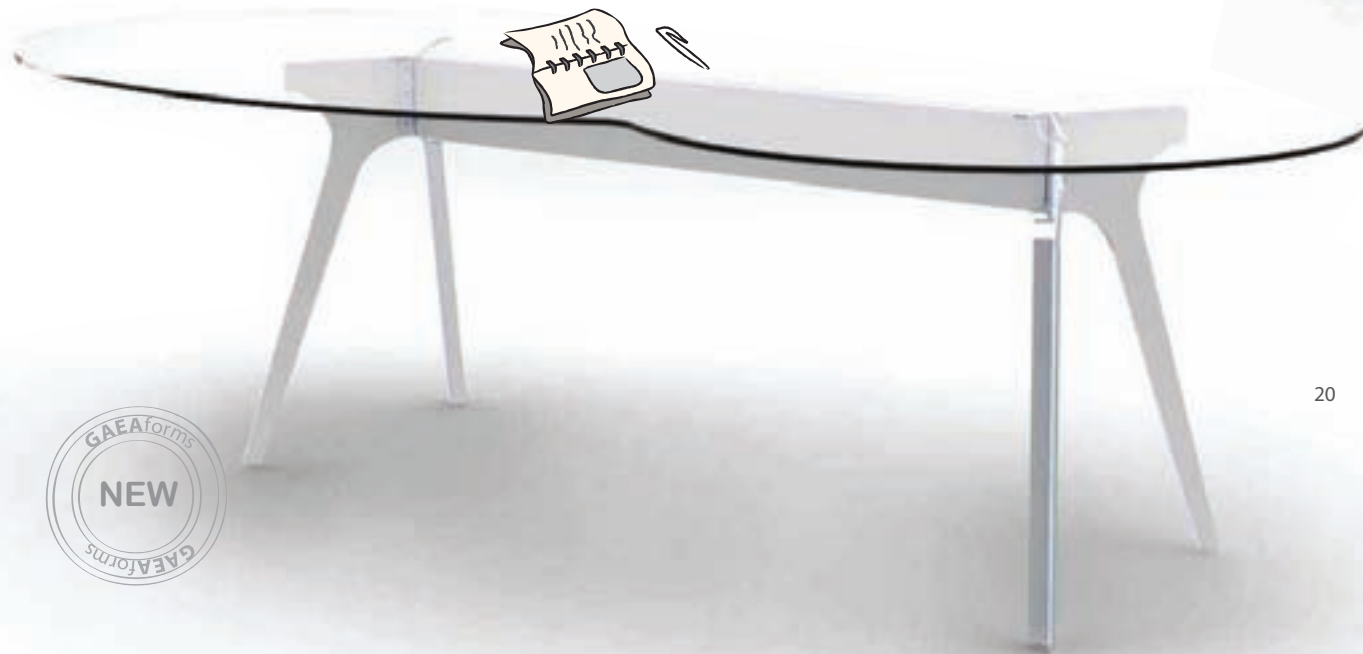


17



18

19



20

17. WINGS BENCH / outdoor

Materials / High-gloss painted glass reinforced polyester, Teak legs
 Colors / Black, White, Chocolate Brown, Navy Blue
 Designers / Pinar Yar + Tuğrul Gövsa, 2008

18. SLOPE tall / indoor

Materials / Oak, Plywood
 Colors / Black, White, Pink, Mustard, Red, Chocolate
 Designers / Pinar Yar + Tuğrul Gövsa, 2010

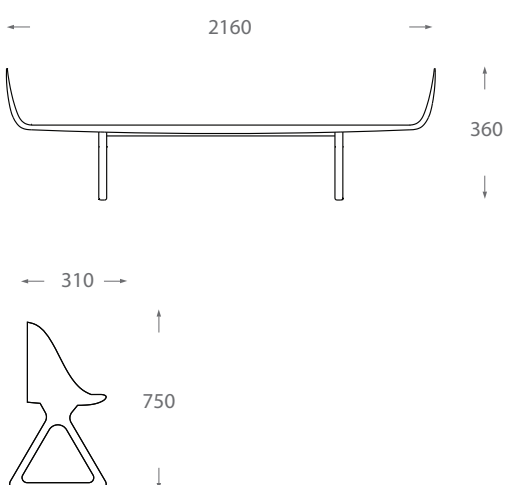
19. SLOPElong / indoor

Materials / Oak, Plywood
 Colors / Black, White, Pink, Mustard, Red, Chocolate
 Designers / Pinar Yar + Tuğrul Gövsa, 2010

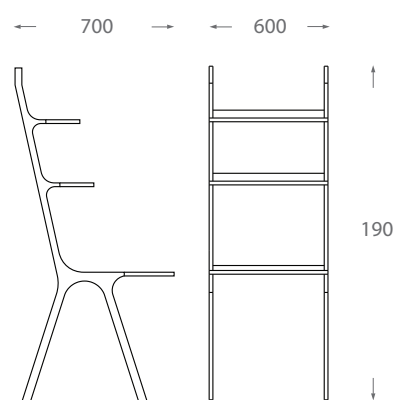
20. STEP METAL / indoor + outdoor

Materials / Powder coated sheet metal+8mm toughened extra white glass
 Colors / Black, White, Sand, Pink, Dark Brown
 Designers / Pinar Yar + Tuğrul Gövsa, 2011

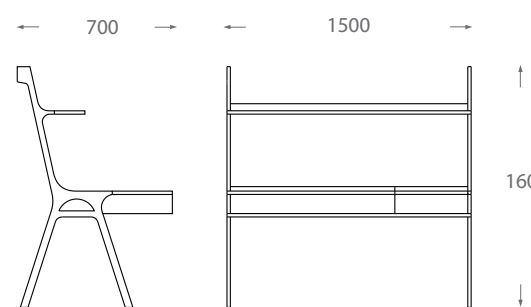
Dimensions /



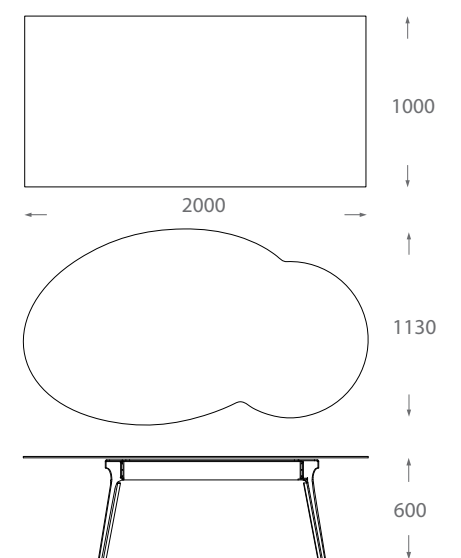
Dimensions /



Dimensions /



Dimensions /

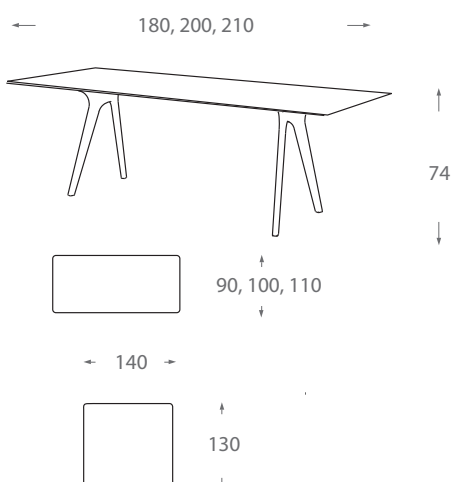




21. STEP DINING / indoor

Materials / Mdf + Glass top
 Colors / Black, White, Chocolate Brown
 Designers / Pınar Yar + Tuğrul Gövsa, 2009

Dimensions /



22. ROOTS / outdoor

Materials / Ceramics / Composites
 Colors / White
 Designers / Pınar Yar + Tuğrul Gövsa, 2008

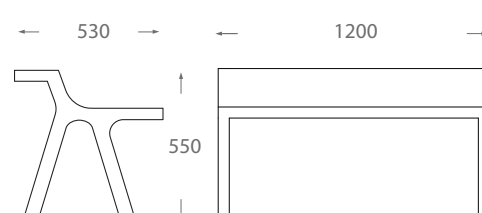
Dimensions /



23. STEP BENCH / indoor + outdoor

Materials / Lacquered finish polyester moulded compound.
 Colors / Black, White, Pink, Red, Lime green, Chocolate Brown, Sand, Mustard
 Designers / Pınar Yar + Tuğrul Gövsa, 2008

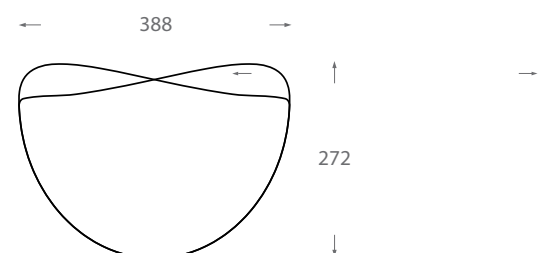
Dimensions /



24. PAPER FLOWER / indoor

Materials / Tyvek
 Colors / White, Yellow, Pink, Orange, Red
 Designers / Pınar Yar + Tuğrul Gövsa, 2011

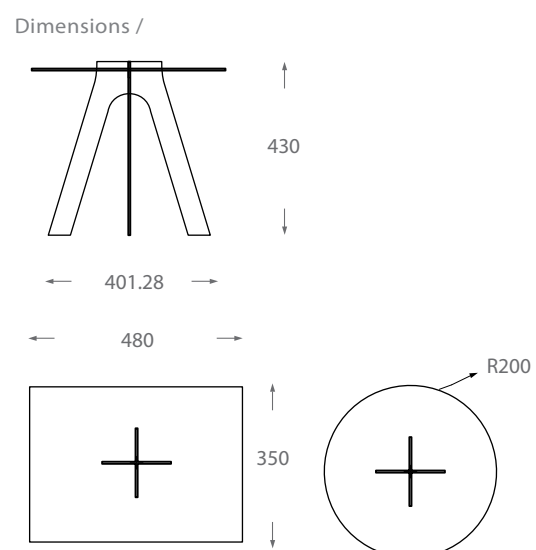
Dimensions /





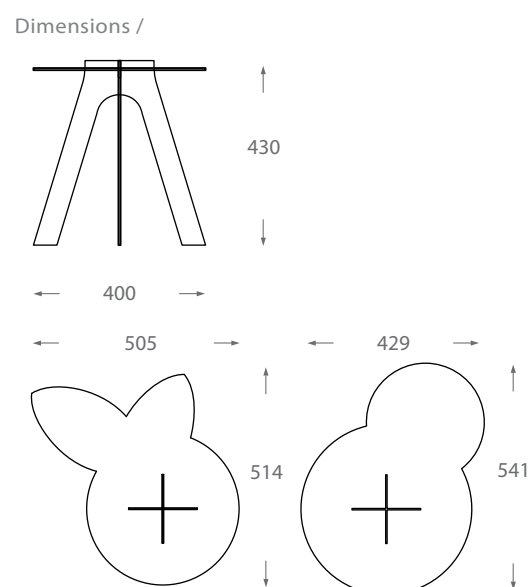
25. PLUS side / indoor + outdoor

Materials / Powder coated steel.
 Colors / Black, White, Pink, Red, Lime green
 Chocolate Brown, Sand, Mustard
 Designers / Pinar Yar + Tuğrul Gövsa, 2008



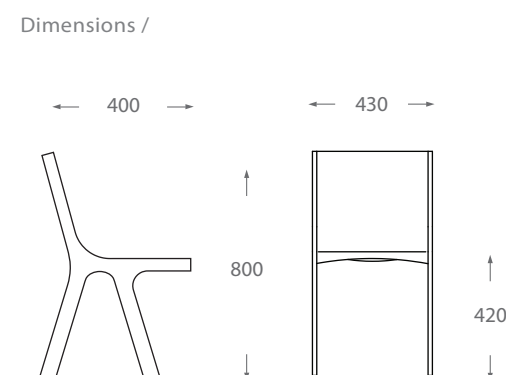
26. PLUS fruit

Materials / Powder coated steel.
 Colors / Black, White, Pink, Red, Lime green
 Chocolate Brown, Sand, Mustard
 Designers / Pinar Yar + Tuğrul Gövsa, 2010



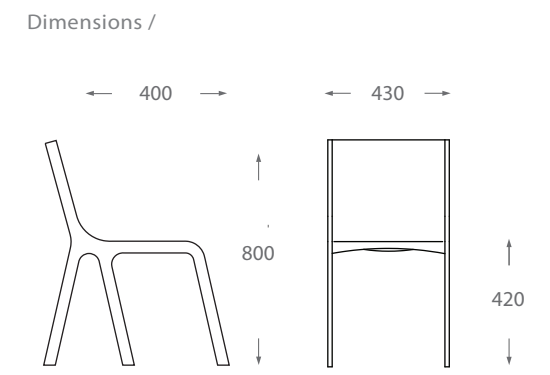
27. 2 STEP CHAIR / indoor

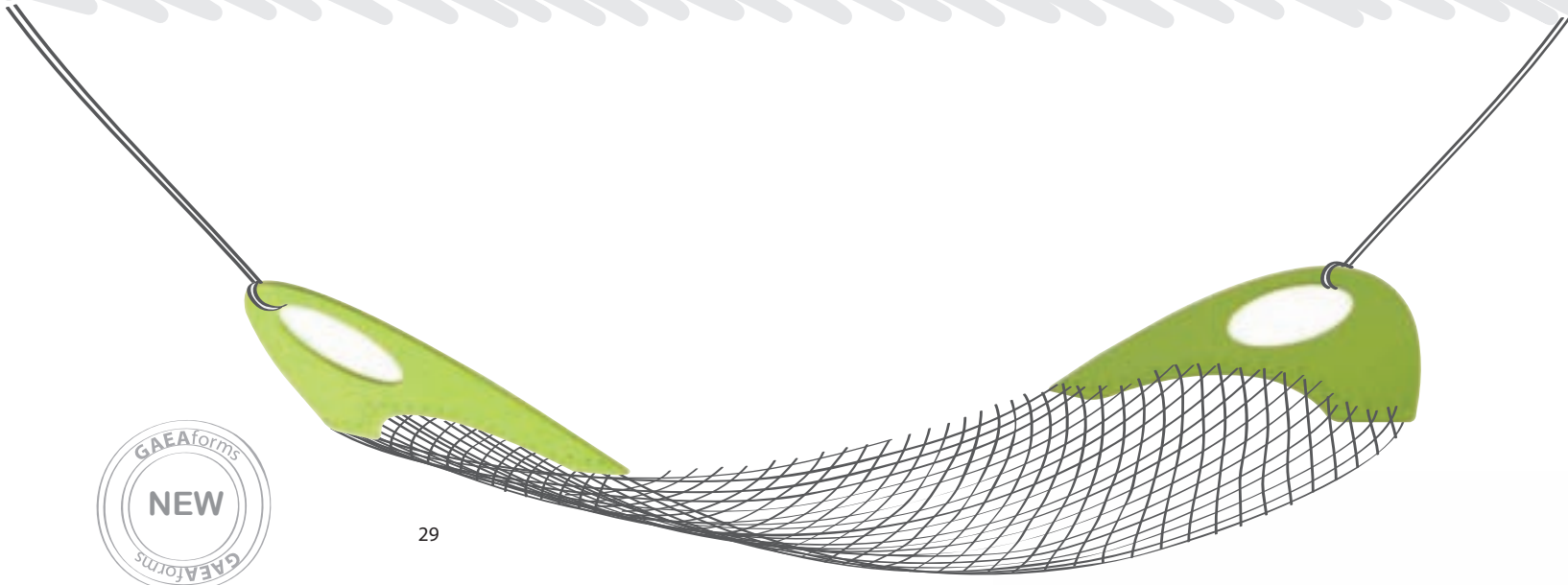
Materials / Lacquered finish polyester moulded compound, Marine plywood
 Colors / Black, White, Pink, Red, Lime green,
 Chocolate Brown, Sand, Mustard
 Designers / Pinar Yar + Tuğrul Gövsa, 2008



28. 3 STEP CHAIR / indoor

Materials / Lacquered finish polyester moulded compound, Marine plywood
 Colors / Black, White, Pink, Red, Lime green,
 Chocolate Brown, Sand, Mustard
 Designers / Pinar Yar + Tuğrul Gövsa, 2008





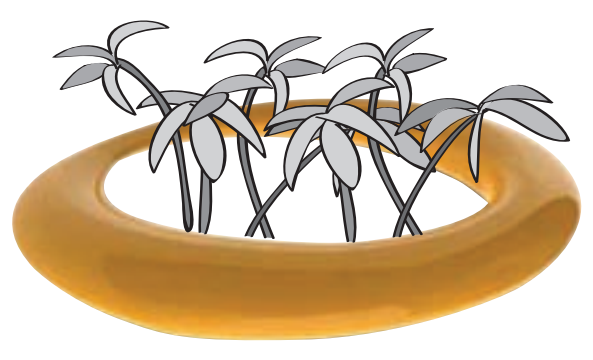
29



31



30



32

29. LH Vol. 2

Materials / High-gloss painted glass reinforced polyester, Dacron
 Colors / Lime green, Turquoise, White, Sand, Pink
 Designers / Pinar Yar + Tuğrul Gövsa, 2011

30. 2 STEP BENCH / indoor

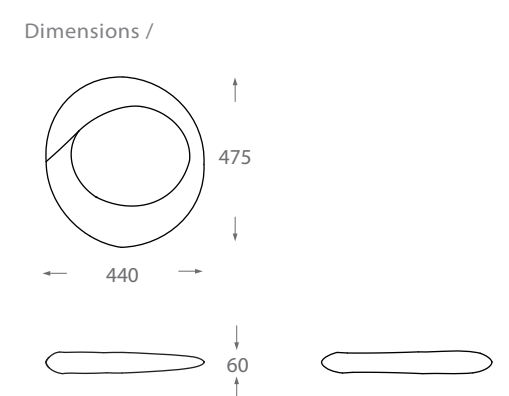
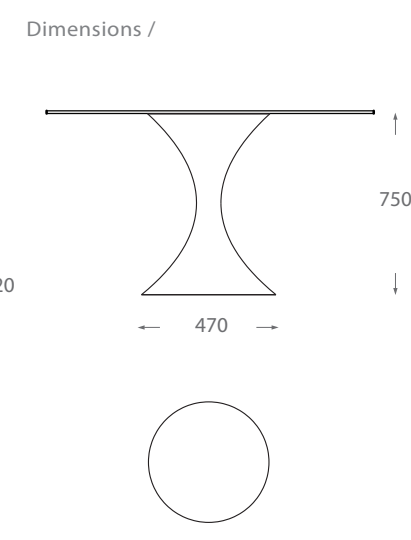
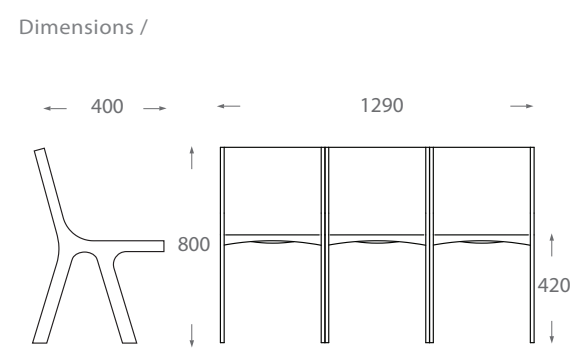
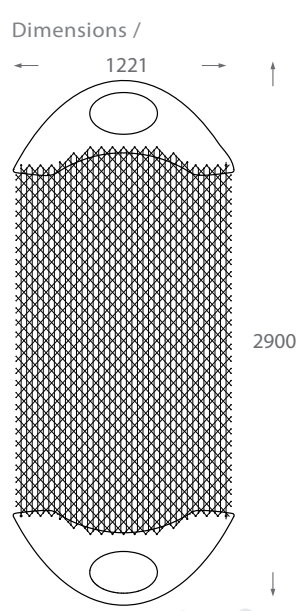
Materials / Lacquered finish polyester moulded compound, Marine plywood
 Colors / Black, White, Pink, Red, Lime green, Chocolate Brown, Sand, Mustard
 Designers / Pinar Yar + Tuğrul Gövsa, 2011

31. MYSTIQUE Dining / indoor

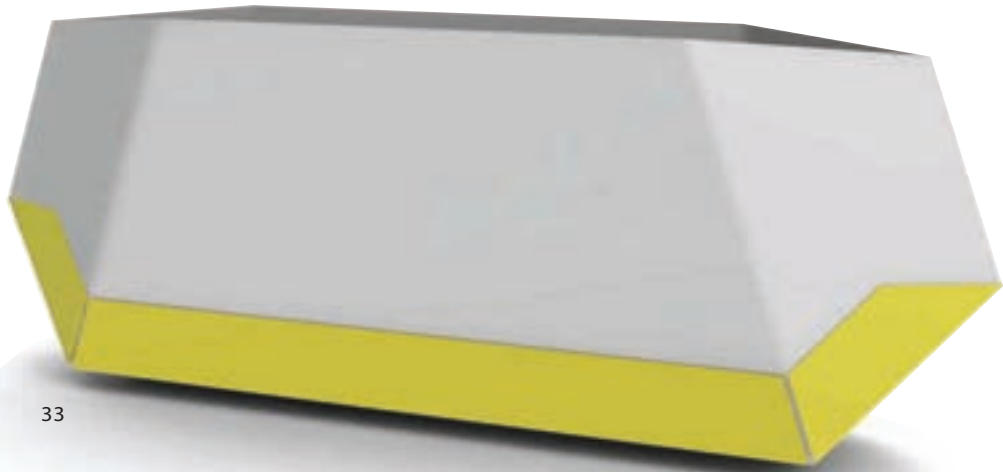
Materials / High-gloss painted glass reinforced polyester+8mm toughened extra white glass
 Colors / Black, White, Sand, Pink, Dark Brown
 Designers / Pinar Yar + Tuğrul Gövsa, 2009

32. FLOWER RING / outdoor

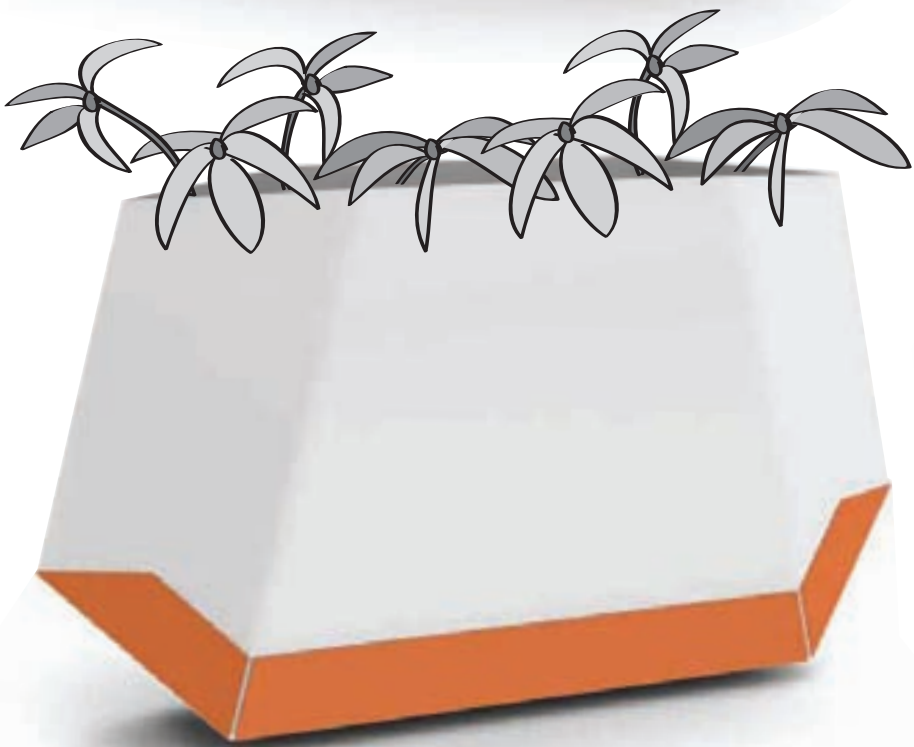
Materials / High-gloss painted glass reinforced polyester
 Colors / Black, White, Pink, Red, Lime Green
 Designers / Pinar Yar + Tuğrul Gövsa, 2011



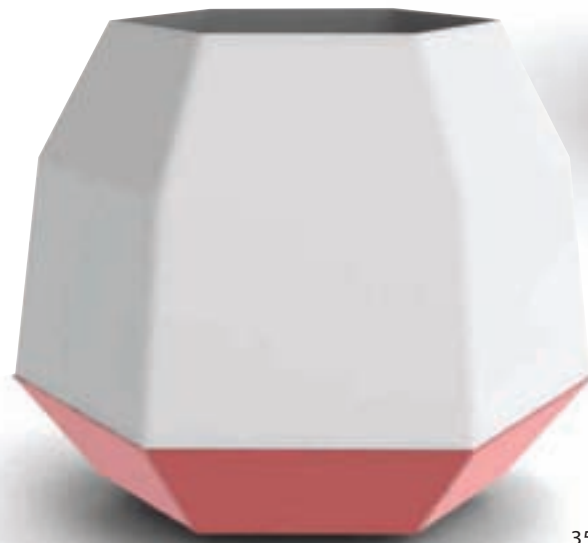
PAPER WORKS



33



34



35



36

33. PAPER BOAT 01 / indoor

Materials / Tyvek + Sheet metal
 Colors / White, Yellow, Pink, Orange, Antracit
 Designers / Pinar Yar + Tuğrul Gövsa, 2011

34. PAPER BOAT 02 / indoor

Materials / Tyvek + Sheet metal
 Colors / White, Yellow, Pink, Orange, Antracit
 Designers / Pinar Yar + Tuğrul Gövsa, 2011

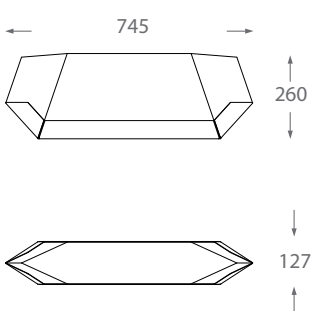
35. ROUND 01 / indoor

Materials / Tyvek + Sheet metal
 Colors / White, Yellow, Pink, Orange, Antracit
 Designers / Pinar Yar + Tuğrul Gövsa, 2011

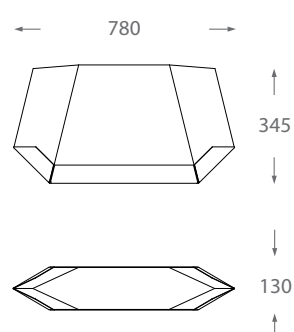
36. ROUND 02 / indoor

Materials / Tyvek + Sheet metal
 Colors / White, Yellow, Pink, Orange, Antracit
 Designers / Pinar Yar + Tuğrul Gövsa, 2011

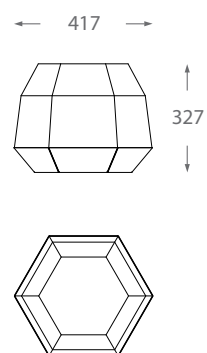
Dimensions /



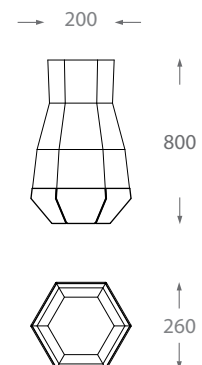
Dimensions /



Dimensions /



Dimensions /





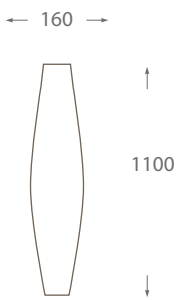
37



37. SLIM VASE / outdoor

Materials / Composite
 Colors / White, Yellow, Pink, Orange, Red
 Designers / Pinar Yar + Tuğrul Gövsa, 2008

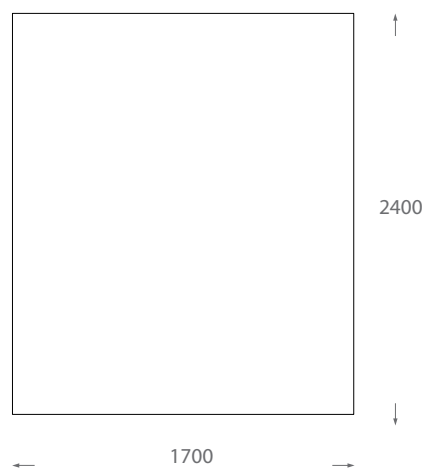
Dimensions /



38. BIRDY / indoor

Materials / Extra fine wool / Turkish carpet
 Colors /
 Designers / Arzu Firuz, 2011

Dimensions /





PIANO BLACK



PURE WHITE



PINK



SILVER



LIME GREEN



SUNSET



SAND



MARINE BLUE



NIGHT BLUE



BITTER



ANTRACIT

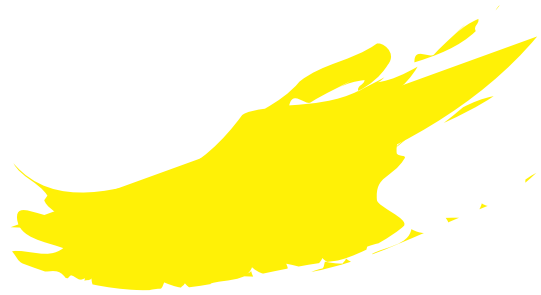


FLAG RED

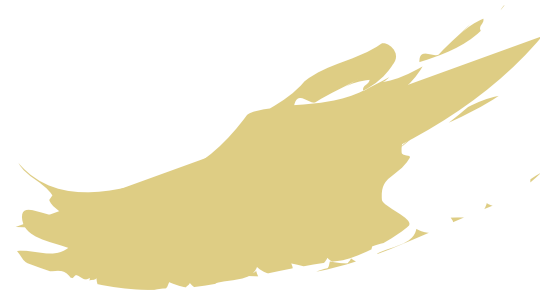
2011 New Colors



DYNAMIC ORANGE



SULFUR YELLOW



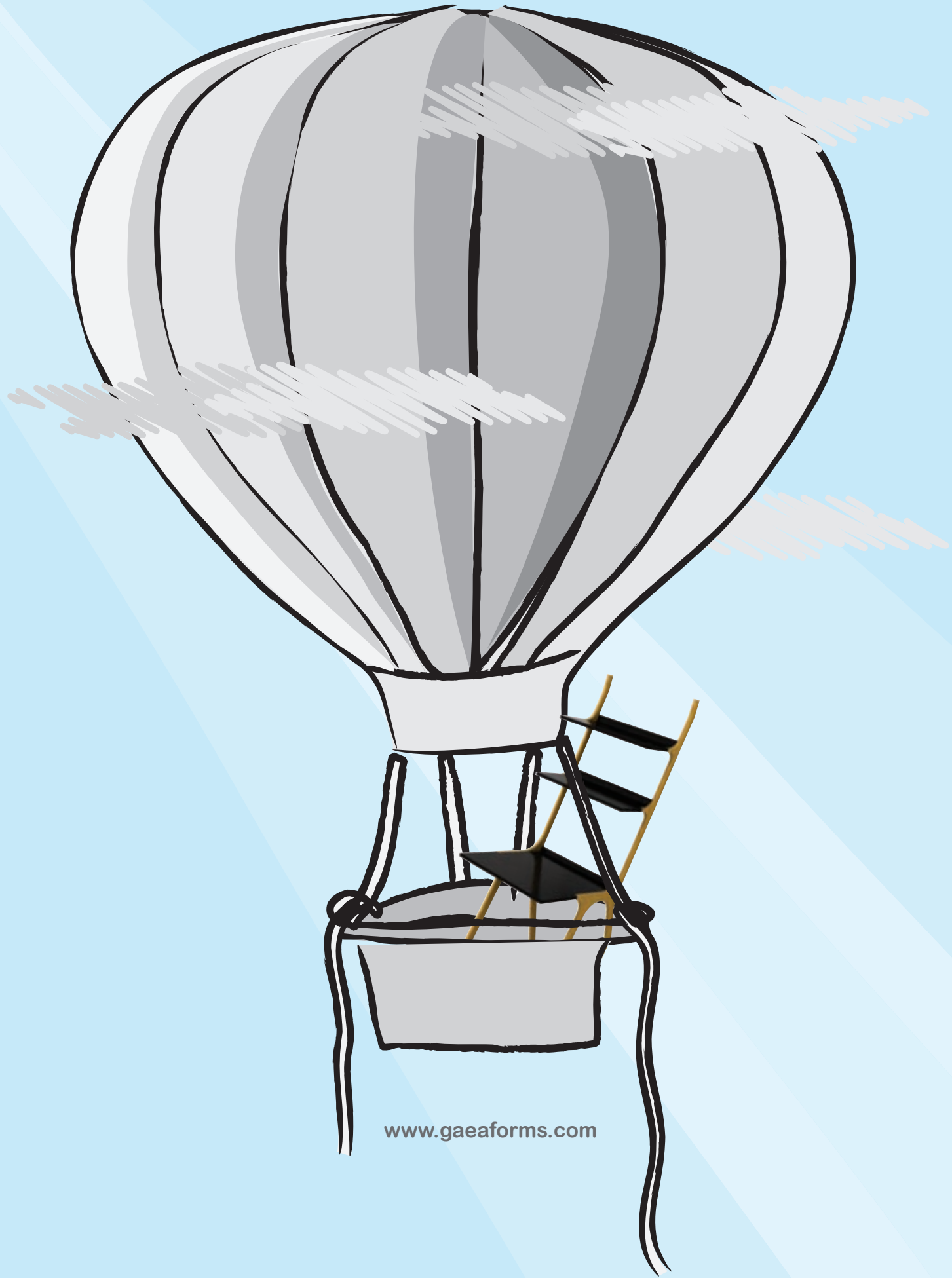
IVORY



OYSTER WHITE



RUBY RED



www.gaeaforms.com